

YOUR PATH  
YOUR WAY



*Move your world*



**ALL-NEW HILUX BEV**  
EXPAND YOUR  
HORIZONS

BEYOND ZERO

QUALITY | DURABILITY | RELIABILITY

# THE CYBER SUMO

The Toyota Hilux BEV marks a bold new chapter, reinterpreting Hilux's renowned toughness through a distinctive "Cyber Sumo" design.

Commanding and agile, its powerful stance introduces a striking new look while staying true to the Hilux's durability and reliability.



LED Turn Lamp

LED Daytime Running Lamp

LED High/Low Beam Projector Unit

Fog Lamp

Actual vehicle may vary from image shown.



LED Stop Lamp

LED Signature Tail Lamp

LED Reverse Lamp /  
LED Fog Lamp

Bulb Turn Lamp



Unique BEV  
alloy wheel design

# DELIVER WITH POWER

Powerful dual motors deliver powerful linear response when accelerating or tackling any terrain.

FRONT MOTOR

**82kW**

TORQUE (FRONT)

**206Nm**

POWER  
**196PS**  
(COMBINED)

REAR MOTOR

**129kW**

TORQUE (REAR)

**269Nm**





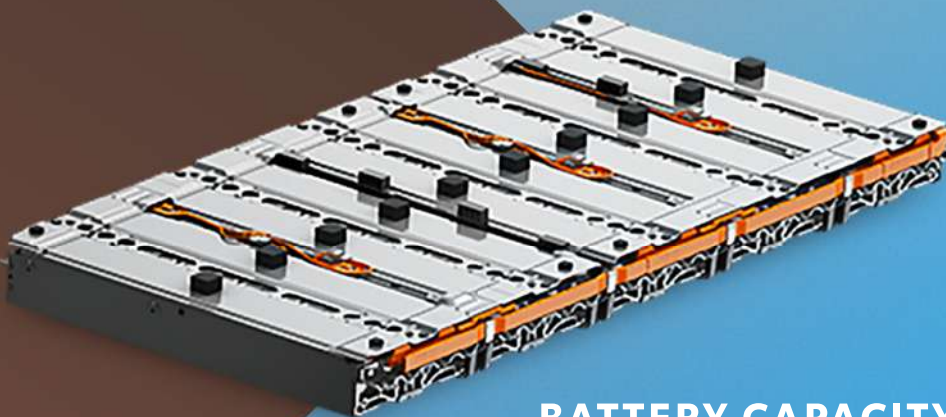
## CHARGING SYSTEM

DC CCS2  
**150kW**

APPROX. (10%-80%)  
**30MINS**

AC TYPE 2  
**10kW**

APPROX. (10%-100%)  
**6.5HOURS**



## BATTERY CAPACITY

HIGH-CAPACITY  
BATTERY  
**59.2kWh**

DRIVING RANGE  
(APPROX) **315km\***  
(NEDC CYCLE)

Actual vehicle may vary from image shown.  
\*Range figures are based on the NEDC test cycle. Actual driving range may vary depending on driving style, speed, load, weather, road conditions and vehicle condition.

## DRIVE MODES

5 Multi-Terrain Select Modes are available, providing optimum traction at all times.

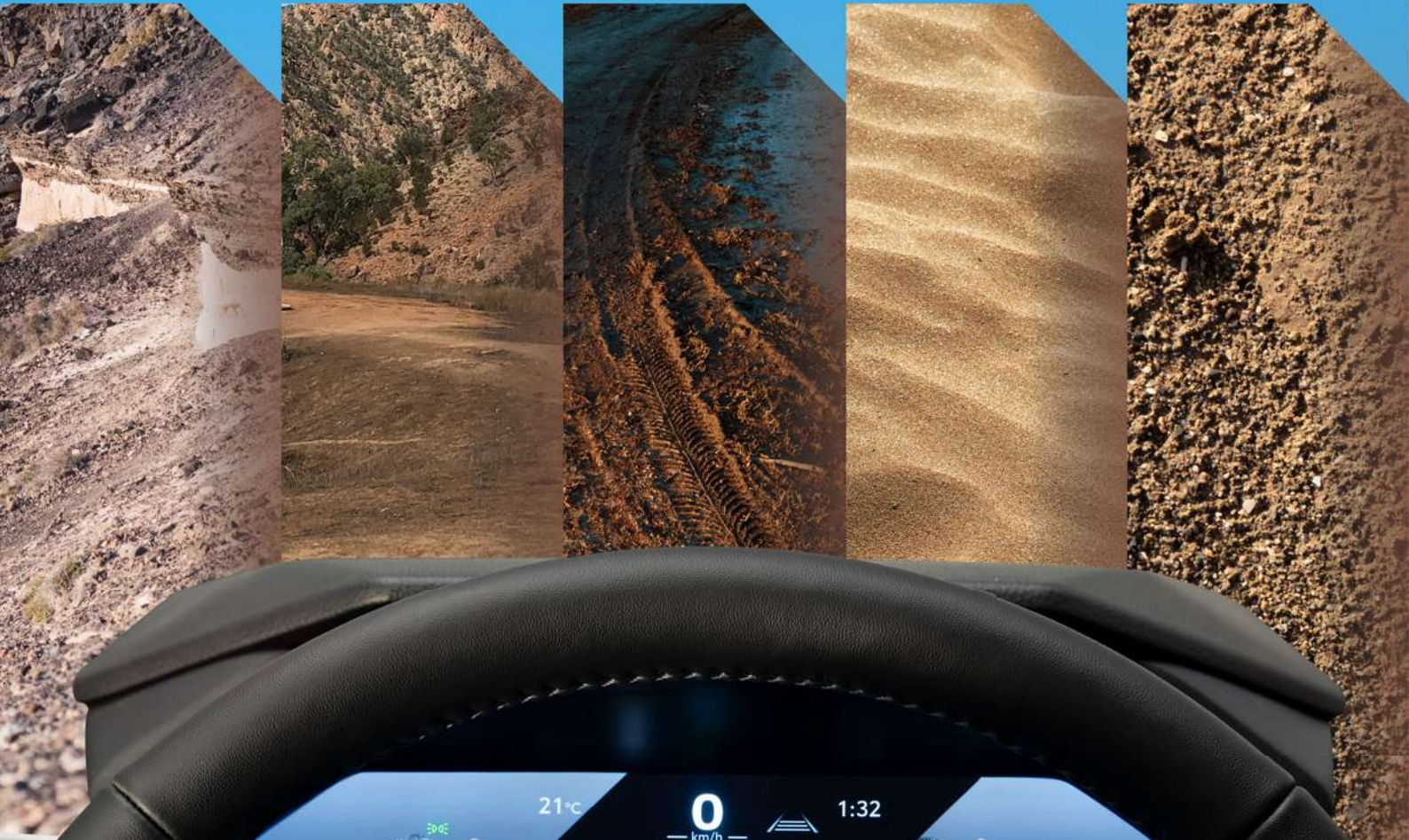
ROCK

MOGUL

MUD

SAND

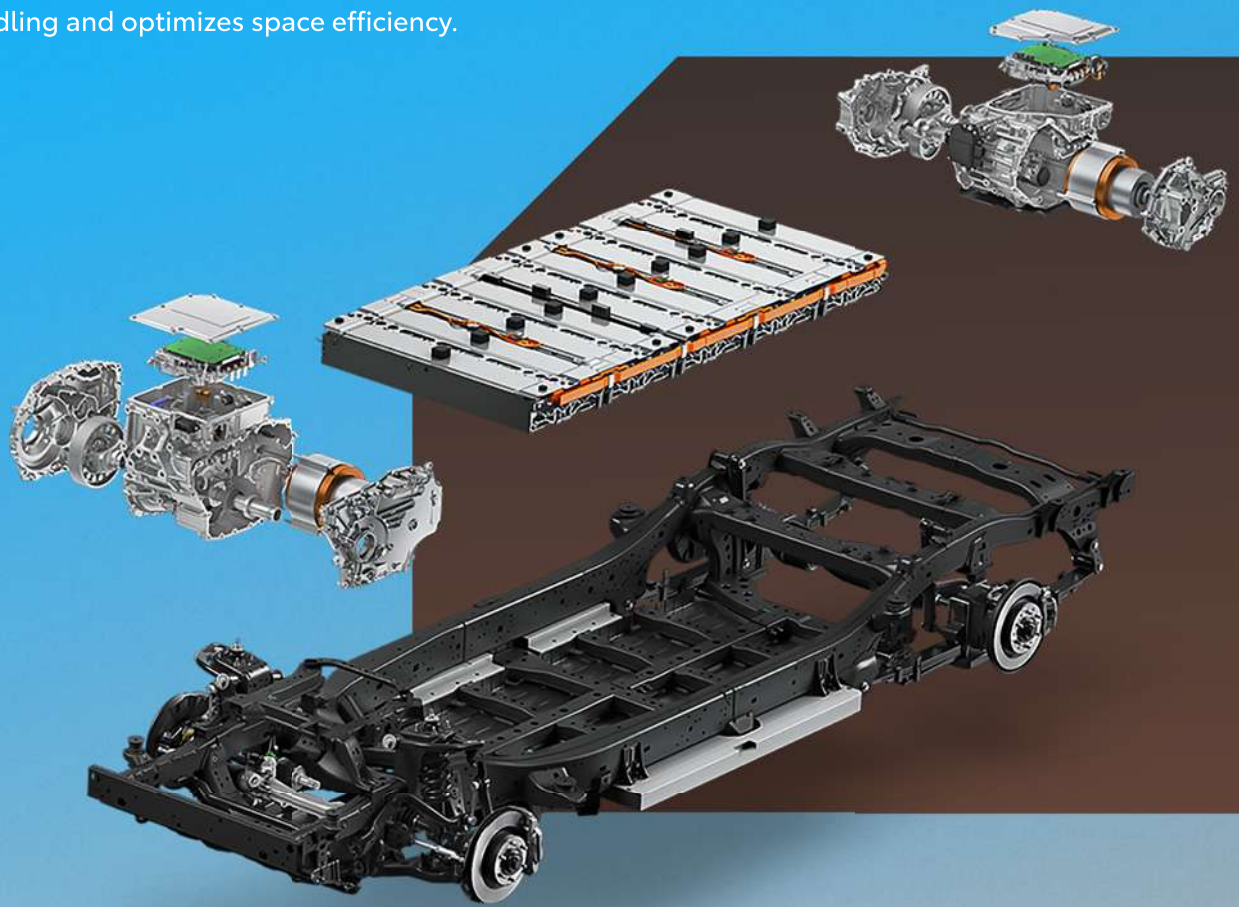
DIRT



Actual vehicle may vary from image shown.

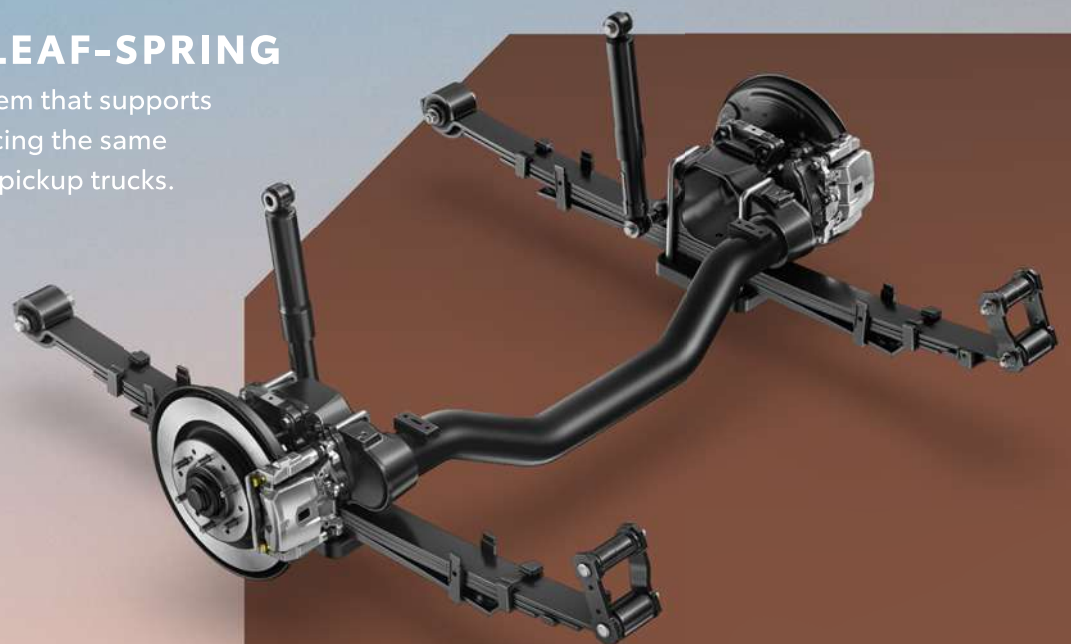
## CHASSIS

The Hilux BEV uses a strengthened frame that integrates the battery platform into the chassis, boosting rigidity while protecting the electric powertrain. This durable structure improves handling and optimizes space efficiency.



## DE DION-TYPE LEAF-SPRING

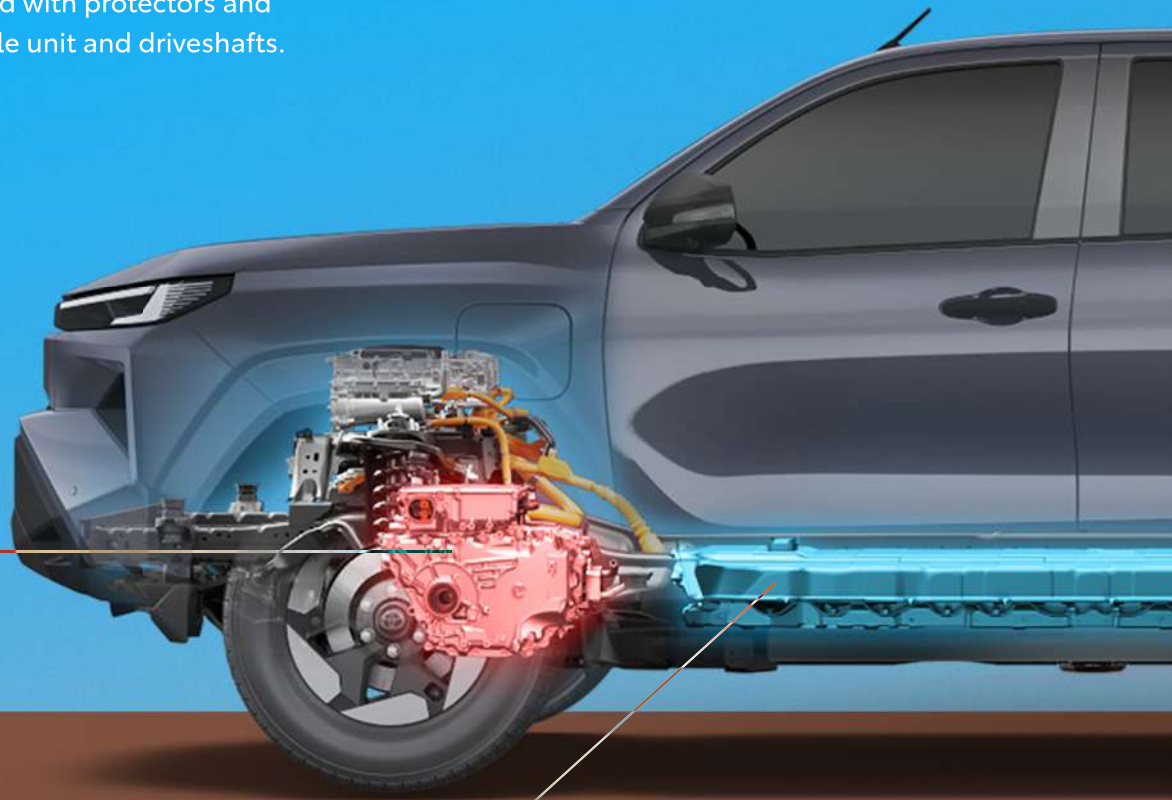
Suspension provides a system that supports electrification while enhancing the same performance as traditional pickup trucks.



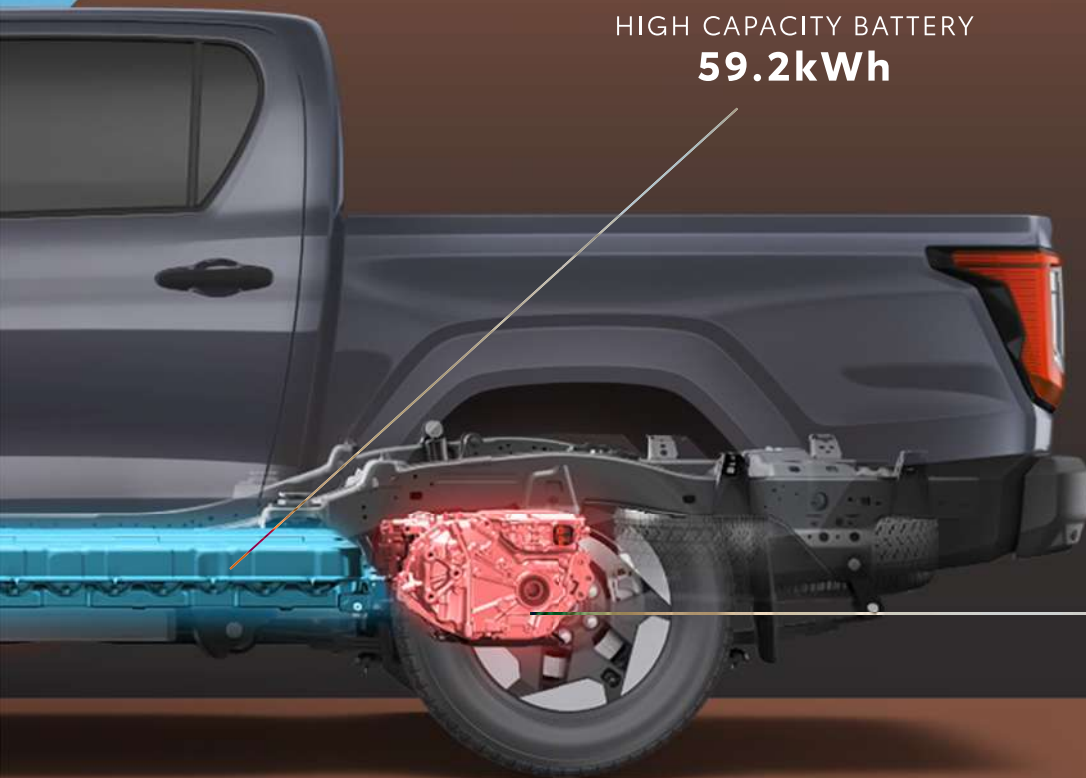
## REINFORCED AND PROTECTED UNDERSIDE

The underside is reinforced with protectors and guards to protect the eAxle unit and driveshafts.

FRONT eAXLE  
**82kW**



HIGH CAPACITY BATTERY  
**59.2kWh**



REAR eAXLE  
**129kW**

**CAPACITY**

PAYLOAD CAPACITY  
**MAX 750KG**

TOWING CAPACITY  
**MAX 2000KG**



**WADING &  
GROUND  
CLEARANCE**

WADING CAPABILITY  
**700MM**



# CONTROL FROM WITHIN

Step into a bold, open cabin designed for intuitive control, functionality and reliability.

## NEW STEERING WHEEL DESIGN

Electric Power Steering (EPS) and the redesigned wheel deliver precise manoeuvring with enhanced comfort.



## SHIFT-BY-WIRE

The new shift-by-wire offers precise and responsive gear changes for a seamless driving experience.





## 4WD CONTROL AREA

Physical switches allow easy access and control without taking your eyes off the road.

## ELECTRONIC PARKING BRAKE

Engage and release the parking brake with a simple push-button operation.



## MID

12.3" Full-Screen Colour MID with Customisable Settings.

## INFOTAINMENT UNIT

12.3" Display Audio with Wireless Apple Carplay and Android Auto Connectivity.



## CHARGING PORTS

Wireless Charger.  
USB-C port.



## SEATS

8-way Power Adjustable Driver Seat – black combination leather seat designed for effortless comfort.





Toyota  
Safety  
Sense

# TOYOTA SAFETY SENSE

## DYNAMIC RADAR CRUISE CONTROL (DRCC)

Maintains a safe distance from the preceding vehicle, braking automatically when the vehicle ahead stops and able to control the speed during a curve.



## LANE DEPARTURE ALERT (LDA)

Alerts driver when vehicle is out of lane and detects any Road Edge Detection such as curb and grass.



## BLIND SPOT MONITOR (BSM) WITH REAR CROSSING TRAFFIC ALERT (RCTA)

Detects and alerts you to vehicles that may not be visible to you when changing lanes or reversing.



## AUTO HIGH BEAM (AHB)

Automatically switches between high and low beams for safer night driving.



## PANORAMIC VIEW MONITOR (PVM)

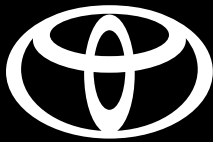
Get a detailed 360° view of your vehicle for manoeuvring in tight spaces.



## SRS AIRBAGS

7 SRS Airbags  
(Front, Front Side, Curtain and Driver Knee)





# TOYOTA Remote

## CONNECTED SAFETY



### ANTI-THEFT ALARM

Receive instant alerts for any suspicious activity on your vehicle.

### STOLEN VEHICLE TRACKING

Keep tabs on your car's location in case of theft.

### UNPLUG ALERT

Get notified if Data Communication Module is disconnected from the vehicle.

### REMOTE IMMOBILIZER

Disable your vehicle remotely.



### DRIVER MONITOR

Be alerted instantly when driving patterns breach the predefined thresholds or geographical boundaries.

### GEOFENCE

Set virtual boundaries and receive alerts when your vehicle enters or exits specific areas.

## CONNECTED CONVENIENCE



### DASHBOARD STATUS

Remotely check battery level and odometer.

### STATISTICAL DRIVING DATA

Stay informed about your car's performance.



### TRIP HISTORY

Access detailed summaries of your journeys.



### FIND MY CAR

Locate your vehicle effortlessly, even in crowded parking lots.



### REMOTE CHECK & CONTROL

- Remotely check & control car doors, windows, lights, horn.
- Adjust the air conditioning settings before stepping inside.

### SHARE VEHICLE

Grant access to family members or friends.



### FIND STATION

Find EV charging station.

## CONNECTED CARE



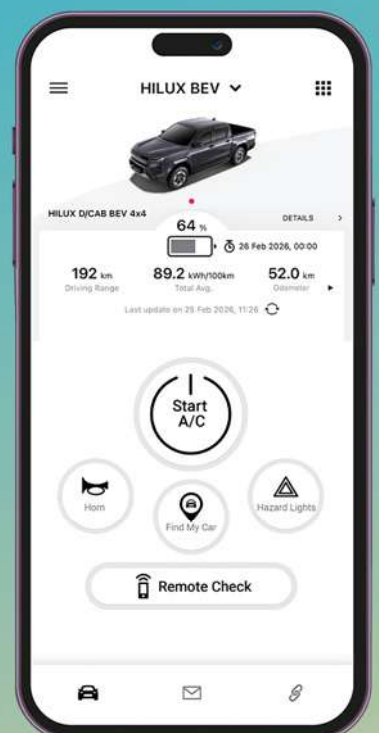
### WARNING NOTICE / WARNING HISTORY

Receive vehicle diagnosis, driving advise, health check report. Access maintenance schedules, book service, service reminders, and more.



### EMERGENCY CALL

Automatically/Manually connect to emergency services when needed.



# SPECIFICATIONS

VARIANT			Hilux BEV
<b>MOTOR GENERATOR</b>			
Motor Type			Dual Permanent Magnet Synchronous Motor
Max. Power	Front / Rear	kW	82 / 129
Max. Torque	Front / Rear	Nm	206 / 269
<b>EV BATTERY</b>			
Battery Type			Lithium Ion
Total Battery Capacity		kWh	59.2
Number of Battery Cells			80
<b>BATTERY CHARGER</b>			
Connector Type	AC Input		Type 2 (10kW)
	DC Input		CCS2 (150kW)
<b>PERFORMANCE</b>			
Total System Output		kW / PS	144 / 196
EV Driving Range		km	Approx. 315km NEDC
<b>CHASSIS</b>			
Drive System			Dual Motor All Wheel Drive
Multi Terrain Select (MTS)			Dirt / Sand / Mud / Rock / Mogul
Suspension	Front		Independent Double Wishbone with Coil Springs & Stabilizer Bar
	Rear		
Brakes	Front	Type	Ventilated Disc
	Rear	Type	Ventilated Disc
Steering			Electric Power Steering (EPS)
Tyres & Rims		(Including Spare Tyre)	265/65R17, Alloy
<b>DIMENSIONS &amp; WEIGHT</b>			
Overall	Length	mm	5,320
	Width	mm	1,855
	Height	mm	1,845
	Wheelbase	mm	3,085
Tread	Front	mm	1,540
	Rear	mm	1,550
Kerb Weight		kg	2,455
Gross Vehicle Weight		kg	3,170
Seating Capacity		Persons	5
Min. Turning Radius		m	6.4
<b>EXTERIOR</b>			
Headlamps	Type		LED
	Levelling		Auto (Static Auto Levelling)
	Daytime Running Lights		LED
	Front Turn Signal Lamps		LED
	Front Fog Lamps		LED
Side Mirror	Finishing		Painted
	Function		Electric Adjust, Auto Retract with Turn Signal
Rear Combination Lamps			LED
High Mount Stop Lamp			LED
Rear Fog Lamp			LED
Bedliner			With
Antenna			Sharkfin
Wiper			Intermittent with Time Adjust
<b>INTERIOR</b>			
Steering	Type		3-spoke, Leather Wrapped
	Adjustment		Tilt & Telescopic
	Switches		With
Air-conditioner	Type		Dual Zone Automatic Climate Control
	Air-Conditioner Rear Vents		With
	Clean Air Filter		PM2.5

# SPECIFICATIONS

VARIANT		Hilux BEV	
<b>INTERIOR</b>			
Multimedia	Audio System	12.3-inch High-resolution Touch Panel Display	
	Speakers	8 Speakers	
Seats	Material	Combination Leather	
	Front	Adjustment	8-way Power with 2-Way Lumbar (Driver) & 4-Way Manual Passenger
	Rear	Folding Mechanism	60:40 Tip Up
Lamp	Room Lamp	With	
	Front Personal Lamp	With (LED)	
Multi Information Display (MID)		12.3-inch Colour	
Smart Entry & Start System		With (Push Start System)	
Inside Rear View Mirror		EC Mirror	
Illuminated Entry System		With	
Sun Visors		Driver (Ticket Holder), Passenger (Mirror and Lid)	
Power Window		With One Touch Auto Up/Down (All Windows)	
Parking Brake		Electric Parking Brake	
Power Door Lock		With	
Wireless Charger		With	
Power Outlets	USB Charger	Front x 1, Rear x 2	
	Accessory Socket (12V)	Front x 1	
Gear Shift Knob	Type	Lever Type (Shift-by-Wire)	
RFID Tag		With	
Digital Video Recorder (DVR)		With (Front)	
<b>SAFETY</b>			
Toyota Safety Sense	Pre-collision System	With	
	Dynamic Radar Cruise Control (DRCC)	With (All Speed)	
	Lane Tracing Assist (LTA)	With	
	Automatic High-Beam (AHB)	With	
	Blind Spot Monitor (BSM)	With	
Anti-lock Braking System (ABS)		With	
Brake Assist (BA)		With	
Downhill Assist Control (DAC)		With	
Vehicle Stability Control (VSC)		With	
Traction Control (TRC)		With	
Hill-start Assist Control (HAC)		With	
Emergency Stop Signal (ESS)		With	
Brake Hold		With	
Tyre Pressure Monitoring System (TPMS)		With	
Parking Clearance Sonar Sensor		With (Front x 4, Rear x 4)	
Blind Spot Monitor (BSM)		With	
Rear Cross Traffic Alert (RCTA)		With	
Parking Support Brake (PKSB)		With	
Panoramic View Monitor (PVM)		With	
Road Sign Assist (RSA)		With	
SRS Airbags		7 (Front, Front Side, Driver Knee & Curtain)	
Seatbelts	Warning	All Seats	
	Front	Driver & Front Passenger	3-point Emergency Locking Retractor (ELR), Pre-tensioner and Force Limiter
	Rear		3-point Emergency Locking Retractor (ELR)
Child Restraint System		ISOFIX x 2	
<b>SECURITY</b>			
Anti-theft System		Alarm, Immobiliser & Intrusion Sensor	
Toyota Premium Security & Solar Film		With	
Toyota Remote App for Connected Services		With	

# TOYOTA EXTRA MILE

Toyota prides itself in keeping its cars longer on the road. But beyond its legendary legacy of durability and reliability is the commitment to go the extra mile for every customer.

From holistic car maintenance assistance services, simpler ownership cost management, and much more, our comprehensive network of services and facilities across Malaysia makes every Toyota ownership more convenient than ever.

We are more than just an automobile company.  
We are a mobility company committed to 'Move Your World'.

## **TOYOTA** EXTENSIVE SALES & SERVICE NETWORK NATIONWIDE

---

Conveniently located for easy accessibility to quality service and genuine parts.

## **Financial Packages**

---

Selection of financing choices to fit your needs and lifestyle.

## **Insurance Package**

---

Specially tailored to Toyota owners with exclusive benefits and privileges.

## **Service Savers**

---

Makes keeping your new Toyota running at its best easy and even more affordable. Choose from 2, 3 or 5 year service packages.

## **Loyal-T**

---

Rewards you for every transaction you make at Toyota. Redeem service vouchers and other exclusive merchandise.

## **Maxcheck**

---

All inclusive and comprehensive periodic maintenance checks and schedules.

## **247 Road Assist**

---

Dedicated roadside assistance, 24 hours a day, seven days a week. With FREE minor on-the-spot repairs and towing.

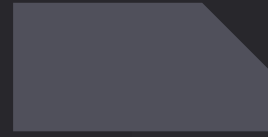
## **Genuine Parts**

---

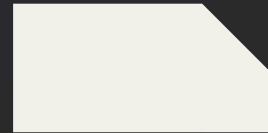
Made to Toyota's exacting standards for guaranteed quality, reliability, and durability, that's readily available nationwide.

## COLOUR OPTIONS

ASH (1M2)



ASH (1M2)



PLATINUM WHITE  
PEARL (089)



SUPER WHITE 2  
(040)

Actual vehicle colour may vary from image above.

## 5 YEARS WARRANTY

5 years warranty from the date of first registration or 150,000 km travelled, whichever occurs first.

Terms and Conditions apply.



## 8 YEARS WARRANTY

from the date of first registration with unlimited mileage for BEV battery, inverter and BEV ECU. Optionally, this Battery Electric warranty can be extended for another 2 years (9th & 10th year).

Terms and Conditions apply.



FOLLOW US ON  
SOCIAL MEDIA



Toyota Malaysia



toyotamy

- UMW Toyota Motor reserves the right to alter any details of specifications and equipment without notice.
- Details of specifications and equipment are also subject to change to suit local conditions and requirements.
- Vehicle and specifications in this catalogue may vary from models available locally.
- Vehicle body and accessory colours might differ from the printed photos in this catalogue.
- All images used are for illustrative purposes.